



MIAMI-DADE COUNTY  
 PRODUCT CONTROL SECTION  
 11805 SW 26 Street, Room 208  
 Miami, Florida 33175-2474  
 T (786) 315-2590 F (786) 315-2599  
[www.miamidade.gov/economy](http://www.miamidade.gov/economy)

DEPARTMENT OF REGULATORY AND ECONOMIC RESOURCES (RER)  
 BOARD AND CODE ADMINISTRATION DIVISION

**NOTICE OF ACCEPTANCE (NOA)**

**Designer Products, LLC dba Cambek Designer Doors**  
 702 Troy Street  
 River Falls, WI 54022

**SCOPE:** This NOA is being issued under the applicable rules and regulations governing the use of construction materials. The documentation submitted has been reviewed and accepted by Miami-Dade County RER-Product Control Section to be used in Miami Dade County and other areas where allowed by the Authority Having Jurisdiction (AHJ).

This NOA shall not be valid after the expiration date stated below. The Miami-Dade County Product Control Section (In Miami Dade County) and/or the AHJ (in areas other than Miami Dade County) reserve the right to have this product or material tested for quality assurance purposes. If this product or material fails to perform in the accepted manner, the manufacturer will incur the expense of such testing and the AHJ may immediately revoke, modify, or suspend the use of such product or material within their jurisdiction. RER reserves the right to revoke this acceptance, if it is determined by Miami-Dade County Product Control Section that this product or material fails to meet the requirements of the applicable building code.

This product is approved as described herein, and has been designed to comply with the Florida Building Code, including the High Velocity Hurricane Zone.

**DESCRIPTION: Insulated Wood Sectional Garage Door up to 10'-6" Wide**

**APPROVAL DOCUMENT:** Drawing No. 1077, titled "10'-6" Wide Hurricane Impact Wood Garage Doors", sheets 1 through 4 of 4, prepared by W. W. Schaefer Engineering & Consulting, P.A., dated 05/24/2002, with last revision E1 dated 11/13/2018, signed and sealed by Warren W. Schaefer, P.E., bearing the Miami-Dade County Product Control revision stamp with the Notice of Acceptance number and expiration date by the Miami-Dade County Product Control Section.

**MISSILE IMPACT RATING: Large and Small Missile Impact Resistant**

**LABELING:** A permanent label with the manufacturer's name or logo, manufacturing address, model/series number, the positive and negative design pressure rating, indicate impact rated if applicable, installation instruction drawing reference number, approval number (NOA), the applicable test standards, and the statement reading 'Miami-Dade County Product Control Approved' is to be located on the door's side track, bottom angle, or inner surface of a panel.

**RENEWAL** of this NOA shall be considered after a renewal application has been filed and there has been no change in the applicable building code negatively affecting the performance of this product.

**TERMINATION** of this NOA will occur after the expiration date or if there has been a revision or change in the materials, use, and/or manufacture of the product or process. Misuse of this NOA as an endorsement of any product, for sales, advertising or any other purposes shall automatically terminate this NOA. Failure to comply with any section of this NOA shall be cause for termination and removal of NOA.

**ADVERTISEMENT:** The NOA number preceded by the words Miami-Dade County, Florida, and followed by the expiration date may be displayed in advertising literature. If any portion of the NOA is displayed, then it shall be done in its entirety.

**INSPECTION:** A copy of this entire NOA shall be provided to the user by the manufacturer or its distributors and shall be available for inspection at the job site at the request of the Building Official. An original signed and sealed company letter from Designer Doors, Inc., is required, proving that the Insulated Wood Sectional Garage Door up to 10'-6" Wide was purchased from them in order for this NOA to be valid on any job.

This NOA revises **NOA # 17-0712.10** and consists of this page 1 and evidence pages E-1, E-2 and E-3, as well as approval document mentioned above.

The submitted documentation was reviewed by **Carlos M. Utrera, P.E.**



*[Handwritten Signature]*  
 01/02/2019

NOA No. 18-1128.04  
 Expiration Date: July 4, 2022  
 Approval Date: January 10, 2019  
 Page 1

**NOTICE OF ACCEPTANCE: EVIDENCE SUBMITTED**

**1. Evidence Submitted Under Previous NOAs**

**A. DRAWINGS “Submitted under NOA # 16-1216.05”**

1. Drawing No. 1077, titled “10’-6” Wide Hurricane Impact Wood Garage Doors”, sheets 1 through 4 of 4, prepared by W. W. Schaefer Engineering & Consulting, P.A., dated 05/24/2002, with last revision D1 dated 12/12/2016, signed and sealed by Warren W. Schaefer, P.E.

**B. TESTS “Submitted under NOA # 10-1119.01”**

1. Test reports on 1) Large Missile Impact Test per FBC, TAS 201-94  
2) Cyclic Wind Pressure Loading per FBC, TAS 203-94  
along with marked-up drawings and installation diagram on a Series/Model H2/4 Section, glazed garage door, prepared by Architectural Testing, Inc., Test Report No. 94833.01-201-18, dated 01/13/2010, signed and sealed by Joseph A. Reed, P.E.
2. Addendum letter to Test Reports No. 87472.01-201-18 and 87473.01-201-18 on Forced Entry Test per FBC, FBC 2411 3.2.1, TAS 202-94, prepared by Architectural Testing, Inc., dated 08/18/2009, signed and sealed by Joseph A. Reed, P.E.

**“Submitted under NOA # 02-0807.01”**

3. Test reports on 1) Uniform Static Air Pressure Test Loading per SFBC, PA 202-94  
2) Cyclic Wind Pressure Loading per SFBC, PA 203-94  
3) Large Missile Impact Test per SFBC, PA 201-94  
along with marked-up drawings and installation diagram of a glazed wood clad garage door, both prepared by Architectural Testing, Inc., Test Report No. 02-33027.01 and No. 02-33946.01, dated 10/10/2001 and 03/07/2002, signed and sealed by Allen Reeves, P.E. and Steven Urich, P.E. respectively.

**“Submitted under NOA # 01-1214.01”**

4. Test reports on 1) Uniform Static Air Pressure Test, per FBC TSA 202-94, 2) Large Missile Impact Test per FBC, TSA 201-94, 3) Cyclic Wind Pressure Loading per FBC, TSA 203-94 along with marked-up drawings and installation diagram of Garage Doors, prepared by Architectural Testing, Test Report No. 02-33027.01, dated October 10, 2001, signed and sealed by Allen N. Reeves, P.E.

**C. CALCULATIONS “Submitted under NOA # 16-1216.05”**

1. Anchor verification calculations prepared by W.W. Schaefer Engineering & Consulting, P.A., dated 11/27/2001 and revised 12/12/2016, signed and sealed by Warren W. Schaefer, P.E.

**“Submitted under NOA # 10-1119.01”**

2. Anchor verification prepared by W.W. Schaefer Engineering & Consulting, P.A., dated 11/27/2001 and revised 11/15/2010, signed and sealed by Warren W. Schaefer, P.E.



01/02/2019

---

Carlos M. Utrera, P.E.  
Product Control Examiner  
NOA No. 18-1128.04  
Expiration Date: July 4, 2022  
Approval Date: January 10, 2019

**NOTICE OF ACCEPTANCE: EVIDENCE SUBMITTED**

**D. MATERIAL CERTIFICATIONS “Submitted under NOA # 01-1214.01”**

1. UL Listing for Foam Plastic, Report # R13184.

**E. STATEMENTS**

1. Statement letter of code conformance to the 5<sup>th</sup> edition (2014) FBC issued by W.W. Schaefer Engineering & Consulting, P.A., dated 12/12/2016, signed and sealed by Warren W. Schaefer, P.E.
2. Statement letter of no financial interest, issued by W.W. Schaefer Engineering & Consulting, P.A., dated 12/12/2016, signed and sealed by Warren W. Schaefer, P.E.  
  
“Submitted under NOA # 14-1118.06”
3. Asset purchase agreement dated 04/25/2014.

**2. Evidence submitted under NOA # 17-0712.10**

**A. DRAWINGS**

1. None.

**B. TESTS**

1. None.

**C. CALCULATIONS**

1. None.

**D. QUALITY ASSURANCE**

1. Miami-Dade Department of Regulatory and Economic Resources (RER)

**E. MATERIAL CERTIFICATIONS**

1. None.

**F. STATEMENTS**

1. Statement letter of code conformance to the 6<sup>th</sup> Edition (2017) FBC issued by W.W. Schaefer Engineering & Consulting, P.A., dated 07/06/2017, signed and sealed by Warren W. Schaefer, P.E.



01/02/2019

---

Carlos M. Utrera, P.E.  
Product Control Examiner  
NOA No. 18-1128.04  
Expiration Date: July 4, 2022  
Approval Date: January 10, 2019

**NOTICE OF ACCEPTANCE: EVIDENCE SUBMITTED**

**3. New evidence submitted**

**A. DRAWINGS**

1. Drawing No. **1077**, titled "10'-6" Wide Hurricane Impact Wood Garage Doors", sheets 1 through 4 of 4, prepared by W. W. Schaefer Engineering & Consulting, P.A., dated 05/24/2002, with last revision E1 dated 11/13/2018, signed and sealed by Warren W. Schaefer, P.E.

**B. TESTS**

1. None.

**C. CALCULATIONS**

1. None.

**D. QUALITY ASSURANCE**

1. Miami-Dade Department of Regulatory and Economic Resources (RER)

**E. MATERIAL CERTIFICATIONS**

1. None.

**F. STATEMENTS**

1. Asset purchase agreement dated 11/08/2017



101/02/2019

---

**Carlos M. Utrera, P.E.**  
**Product Control Examiner**  
**NOA No. 18-1128.04**  
**Expiration Date: July 4, 2022**  
**Approval Date: January 10, 2019**

**GENERAL NOTES:**

1. THIS PRODUCT HAS BEEN TESTED, ANALYZED & APPROVED FOR DESIGN PRESSURES NOT TO EXCEED THOSE SHOWN IN THE "ALLOWABLE DESIGN PRESSURE TABLE(S)".
2. OPENINGS, BUCKING & BUCKING FASTENERS MUST BE PROPERLY DESIGNED & INSTALLED TO TRANSFER WIND LOADS TO THE STRUCTURE.
3. ALL HARDWARE & FASTENERS SHALL BE IN ACCORDANCE WITH THESE DRAWINGS & SHALL NOT VARY UNLESS SPECIFICALLY MENTIONED ON THE DRAWINGS. SPECIFIED ANCHOR EMBED TO BASE MATERIAL SHALL BE BEYOND WALL FINISH OR STUCCO.
4. THE DETAILS & SPECIFICATIONS SHOWN HEREIN REPRESENT THE PRODUCTS TESTED & PROPOSED FOR CONFORMANCE WITH THE FLORIDA BUILDING CODE PROTOCOLS TAS-201, 202 & 203 FOR LARGE MISSILE IMPACT PRODUCTS.
5. THIS PRODUCT HAS BEEN DESIGNED IN ACCORDANCE WITH AND MEETS THE REQUIREMENTS OF THE FLORIDA BUILDING CODE (FBC) INCLUDING HIGH VELOCITY HURRICANE ZONES (HVHZ).
6. IMPACT SHUTTERS ARE NOT REQUIRED WITH THIS PRODUCT.
7. ALL ANCHORS SECURING PRODUCT FRAMES TO PRESSURE TREATED BUCKS OR WOOD FRAMING SHALL BE CAPABLE OF RESISTING CORROSION CAUSED BY THE PRESSURE TREATING CHEMICALS IN THE WOOD.
8. DETERMINE THE POSITIVE & NEGATIVE DESIGN LOADS TO USE WHEN REFERENCING THESE DOCUMENTS IN ACCORDANCE WITH THE GOVERNING CODE AND GOVERNING WIND VELOCITY. FOR WIND LOAD CALCULATIONS IN ACCORDANCE WITH THE FLORIDA BUILDING CODE, A DIRECTIONALITY FACTOR OF  $K_d = 0.85$  MAY BE APPLIED PER THE ASCE-7 STANDARD.

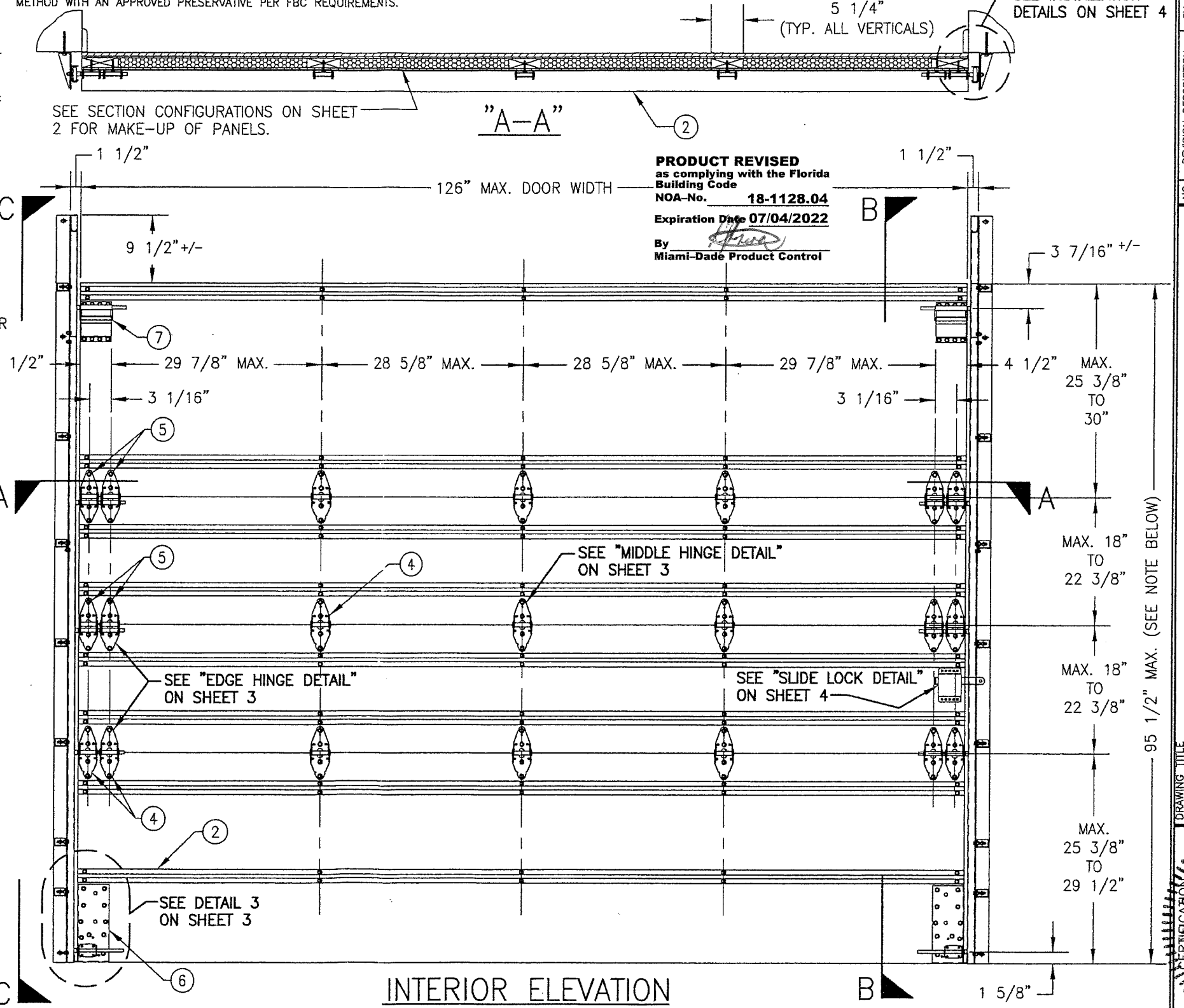
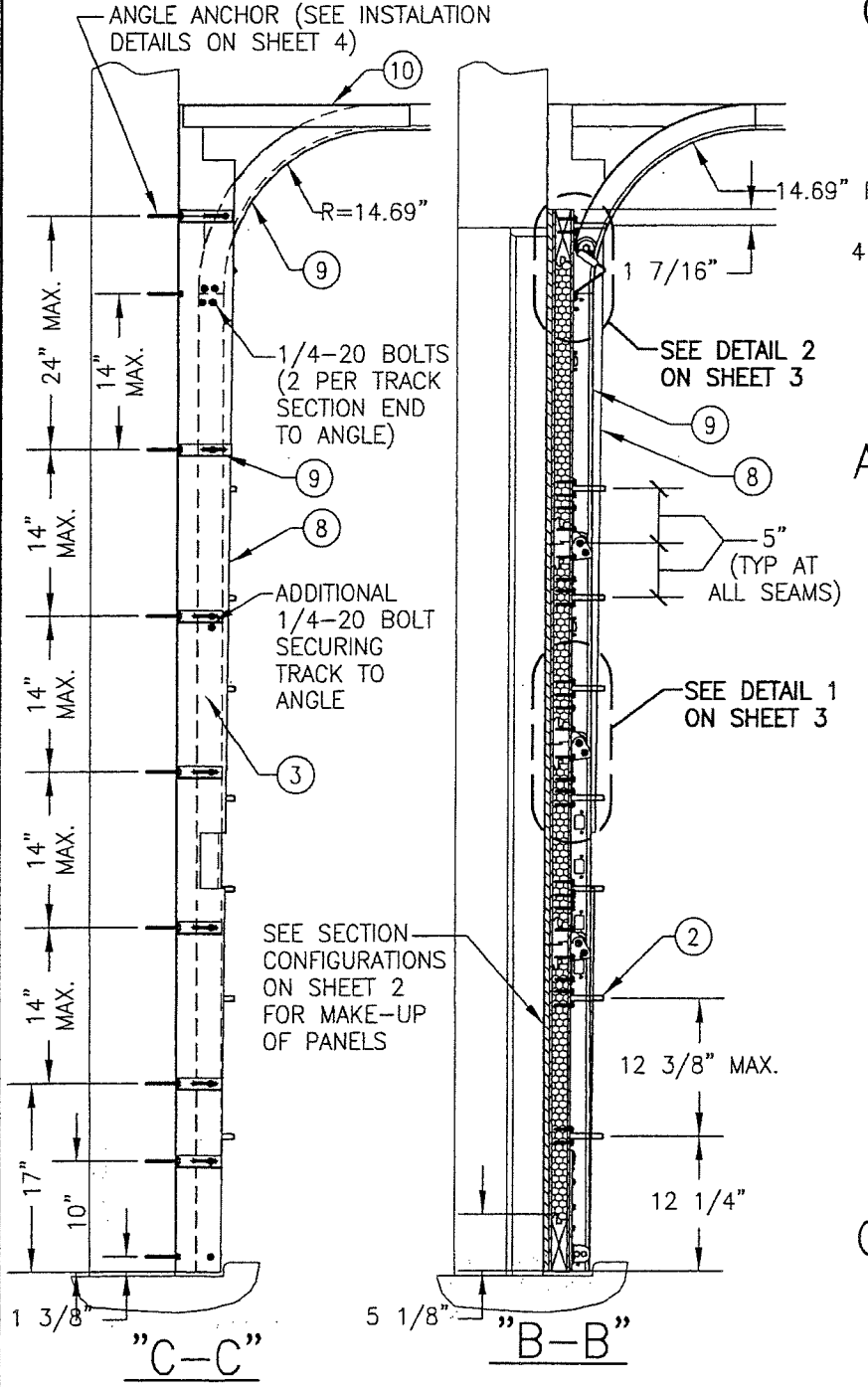
9. NO INCREASE IN ALLOWABLE STRESS HAS BEEN USED IN THE CERTIFICATION OF THIS PRODUCT. WIND LOAD DURATION FACTOR  $C_d = 1.6$  WAS USED FOR WOOD SCREW ANALYSIS ONLY.
10. MATERIALS, INCLUDING BUT NOT LIMITED TO STEEL SCREWS, THAT COME INTO CONTACT WITH OTHER DISSIMILAR MATERIALS SHALL MEET THE REQUIREMENTS OF FLORIDA BUILDING CODE.
11. ALL WOOD MEMBERS OF THIS PRODUCT THAT MAY POSSIBLY COME INTO CONTACT WITH MASONRY OR CONCRETE SUBSTRATES, ARE SUBJECT TO MOISTURE &/OR ARE SUBJECT TO THE OUTSIDE ENVIRONMENT SHALL BE OF AN APPROVED DURABLE SPECIES OR BE TREATED IN AN APPROVED METHOD WITH AN APPROVED PRESERVATIVE PER FBC REQUIREMENTS.

ALLOWABLE DESIGN LOAD	
POSITIVE	NEGATIVE
48 PSF	65 PSF

THESE DRAWINGS ARE APPLICABLE ONLY TO THE PRODUCT SPECIFIED. THEY MAY NOT BE USED FOR THE ASSEMBLY AND/OR INSTALLATION OF ANY OTHER PRODUCT NOR MAY THEY BE USED FOR RATIONAL AND/OR LOCAL APPROVAL OF ANY PRODUCT NOT PRODUCED BY THE MANUFACTURER STATED ON THESE DRAWINGS.

DRAWN BY:	W.W.S.	CHECKED BY:	W.W.S.
DATE:	05/24/02	DATE:	05/24/02
PLOT:	1=16		

NO.	REVISION DESCRIPTION	BY	DATE
A2	REDUCE ANCHOR SPACING TO 14"	WWS	08/11/05
B1	UPDATE TO CURRENT STANDARDS	WRM	09/27/11
B2	ADD SLIDE LOCK	WRM	11/09/11
C1	MANUFACTURER NAME CHANGE	WRM	11/12/14
D1	UPDATE TO CURRENT STANDARDS	WWS	12/12/16
E1	MANUFACTURER NAME CHANGE	WWS	11/13/18

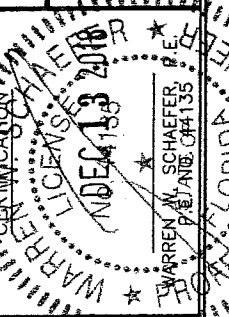


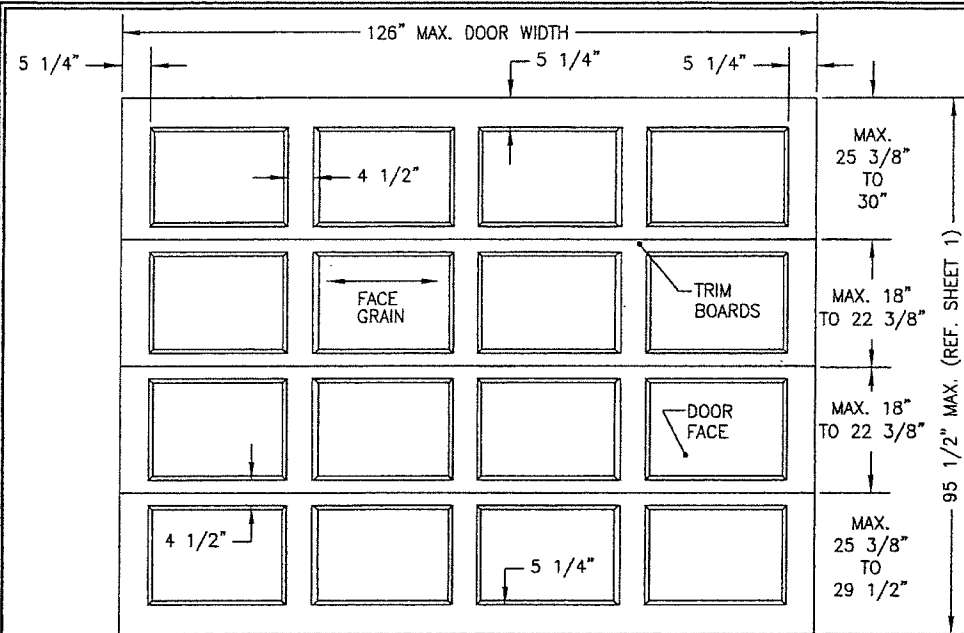
**PRODUCT REVISED**  
 as complying with the Florida Building Code  
 NOA-No. 18-1128.04  
 Expiration Date 07/04/2022  
 By *[Signature]*  
 Miami-Dade Product Control

NOTE: DOOR HEIGHT MAY BE INCREASED BY UP TO 22 3/8" INCREMENTS PROVIDING ADDITIONAL CENTER PANEL(S) IS PLACED.

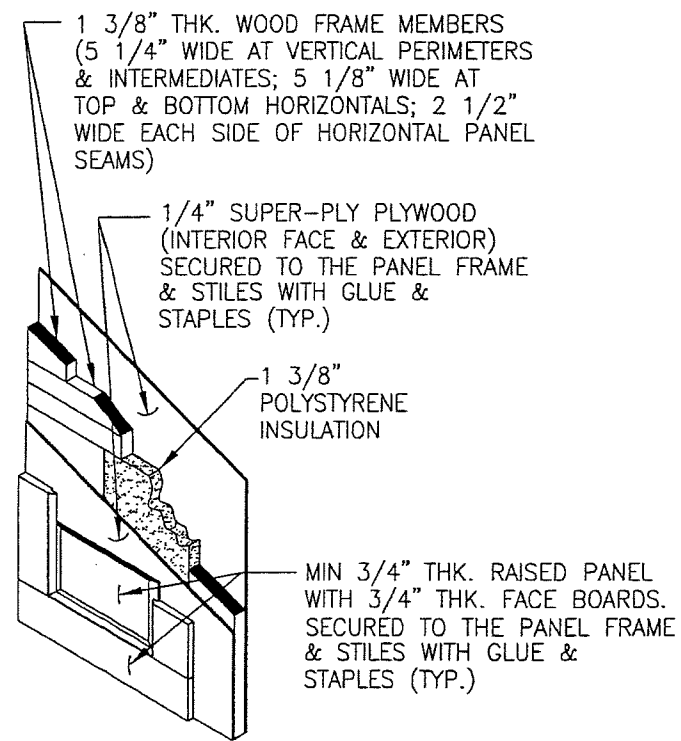
**10'-6" WIDE HURRICANE IMPACT WOOD GARAGE DOORS**  
 MANUFACTURER  
**DESIGNER PRODUCTS, LLC**  
 dba CAMBEK DESIGNER DOORS  
 702 TROY ST.  
 RIVER FALLS, WI 54022  
 800-241-0525

CONSULTANTS  
**W. W. SCHAEFER ENGINEERING & CONSULTING, P.A. (CA 6809)**  
 7480 150TH COURT NORTH  
 PALM BEACH GARDENS, FL 33418  
 PHONE: 561-744-3424

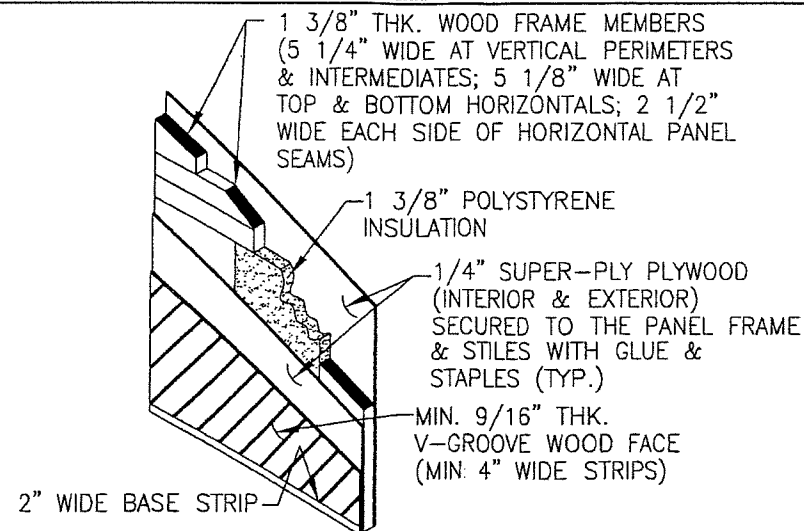




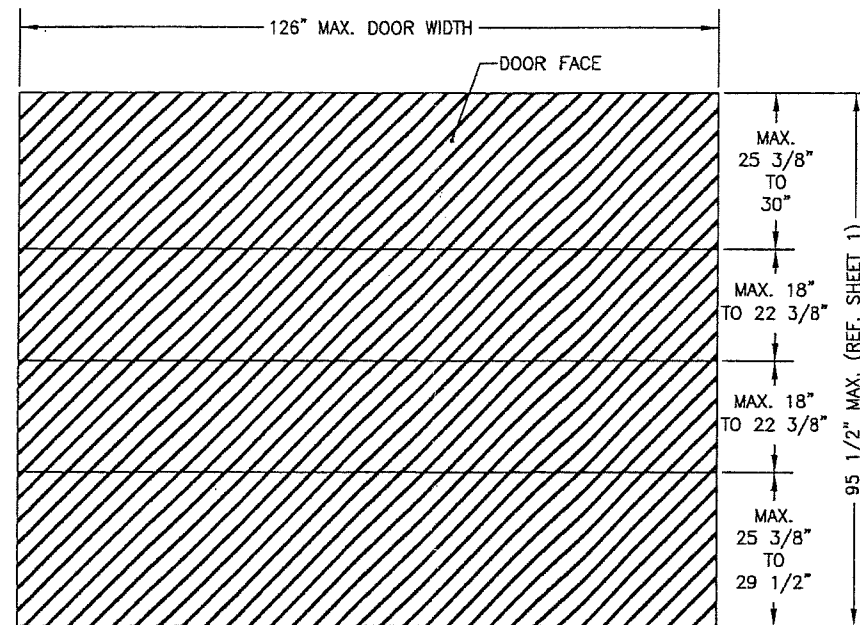
**TYP. RAISED PANEL  
EXTERIOR ELEVATION**



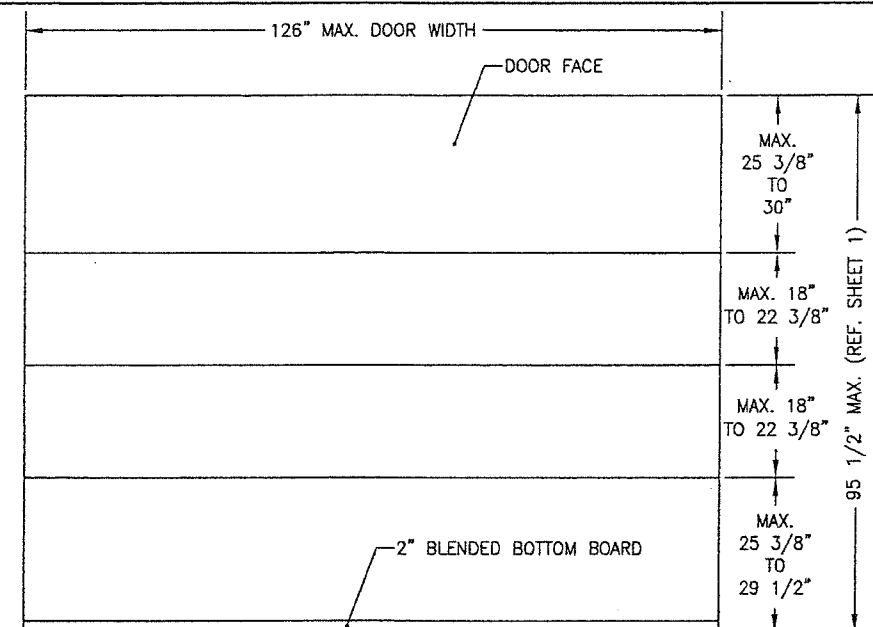
**TYP. RAISED PANEL**



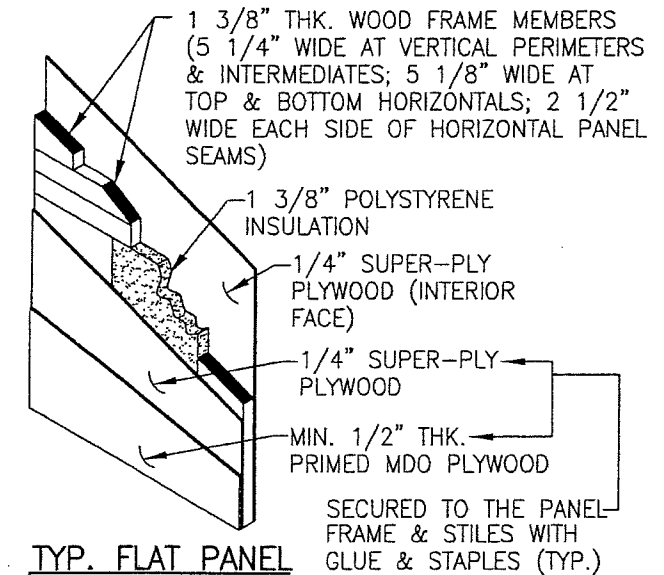
**TYP. V-GROOVE PANEL  
(V-GROOVE MAY RUN IN ANY DIRECTION)**



**TYP. V-GROOVE PANEL  
EXTERIOR ELEVATION  
(V-GROOVE MAY RUN IN ANY DIRECTION)**

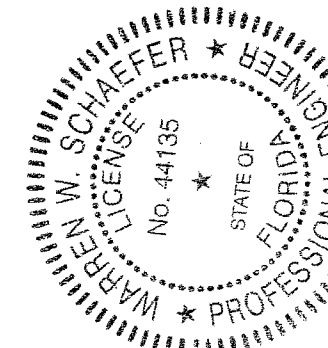


**TYP. FLAT PANEL  
EXTERIOR ELEVATION**

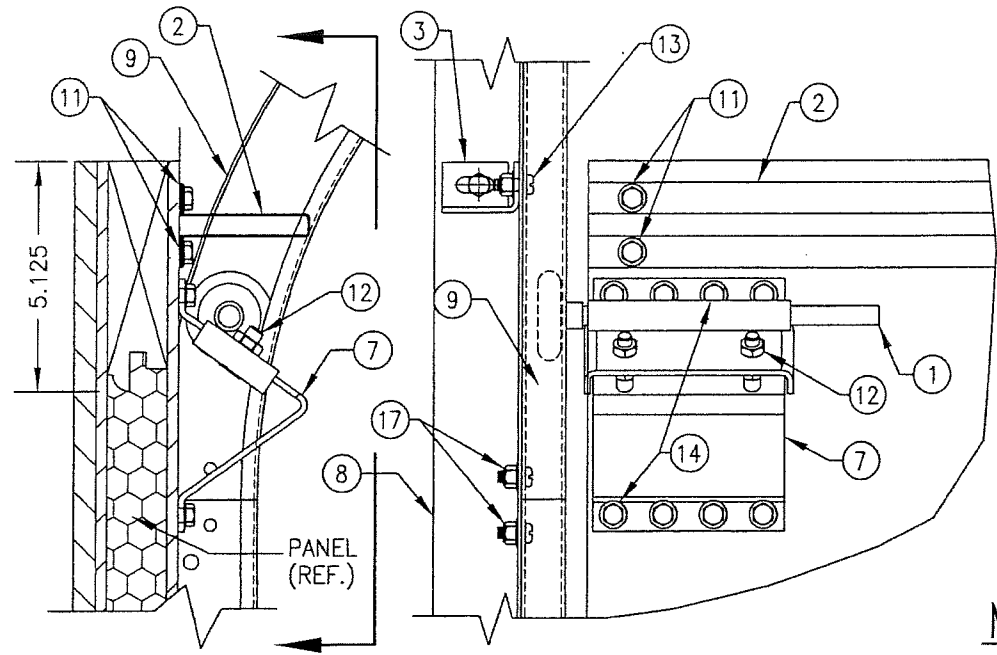


**TYP. FLAT PANEL**

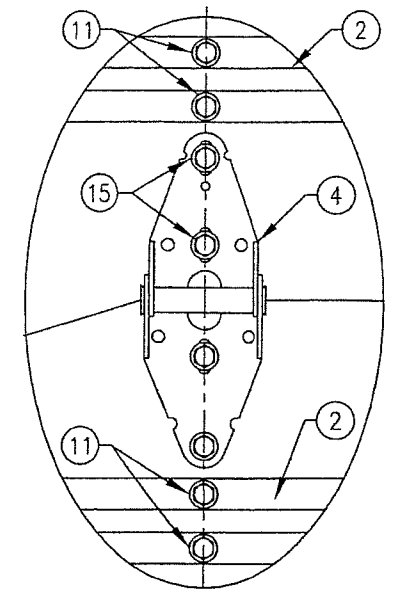
**PRODUCT REVISED**  
as complying with the Florida Building Code  
NOA-No. **18-1128.04**  
Expiration Date **07/04/2022**  
By *[Signature]*  
**Miami-Dade Product Control**



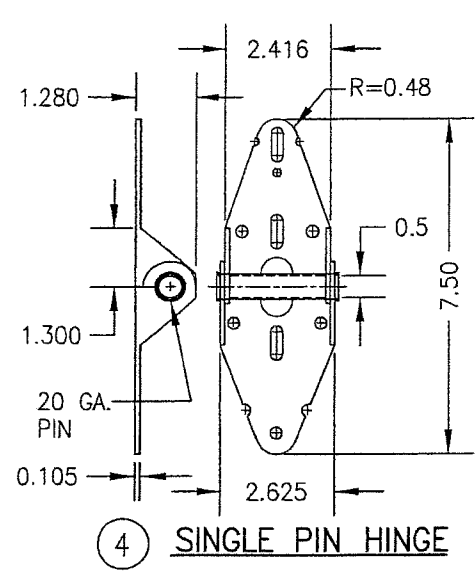
DRAWN BY: W.W.S.		CHECKED BY: W.W.S.	
PLOT: 1=32		DATE: 05/24/02	
NO.	REVISION DESCRIPTION	BY	DATE
DRAWING TITLE <b>10'-6" WIDE HURRICANE IMPACT WOOD GARAGE DOORS</b>			
MANUFACTURER <b>DESIGNER PRODUCTS, LLC dba CAMBEK DESIGNER DOORS</b> 702 TROY ST. RIVER FALLS, WI 54022 800-241-0525			
CONSULTANTS <b>W. W. SCHAEFER ENGINEERING &amp; CONSULTING, P.A. (CA 6809)</b> 7480 150TH COURT NORTH PALM BEACH GARDENS, FL 33418 PHONE: 561-744-3424			
DEC 13 2018 WARREN W. SCHAEFER, P.E. P.E. NO. 44135			
DRAWING NO. <b>1077</b>		REV. <b>E</b>	
SHEET NO. <b>2 OF 4</b>			



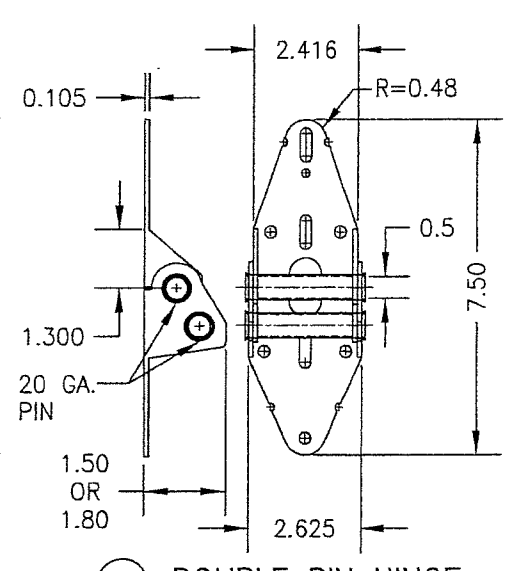
DETAIL 2



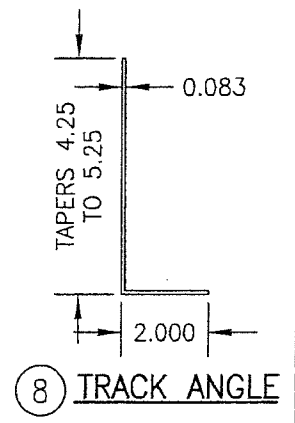
MIDDLE HINGE DETAIL



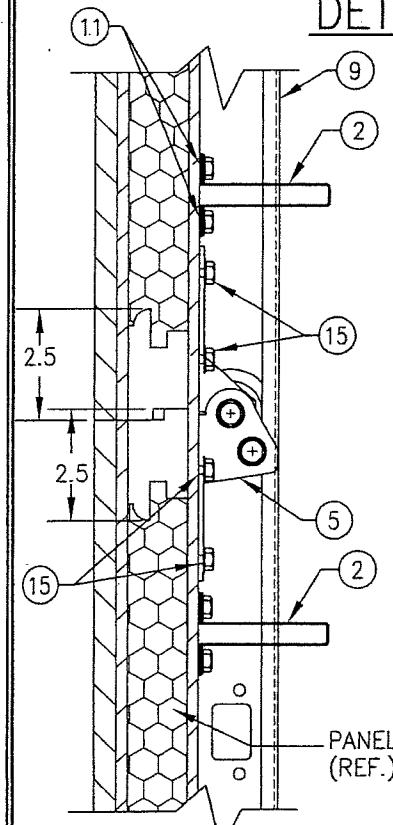
4 SINGLE PIN HINGE



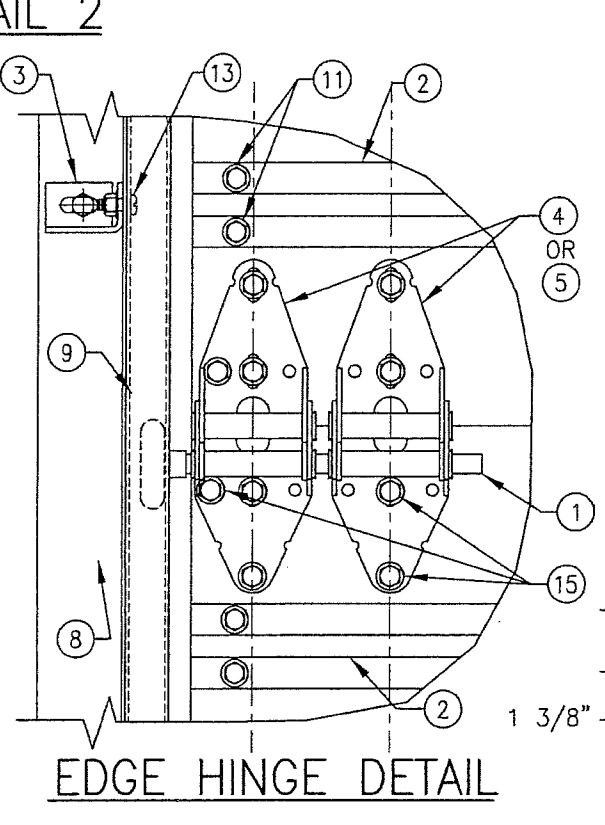
5 DOUBLE PIN HINGE



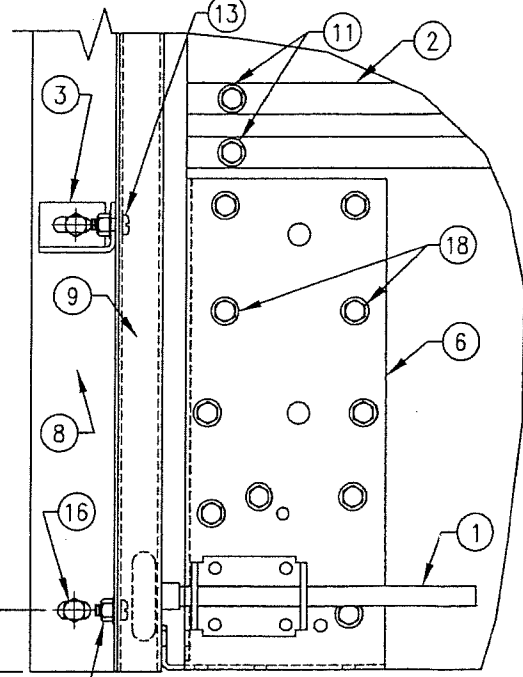
8 TRACK ANGLE



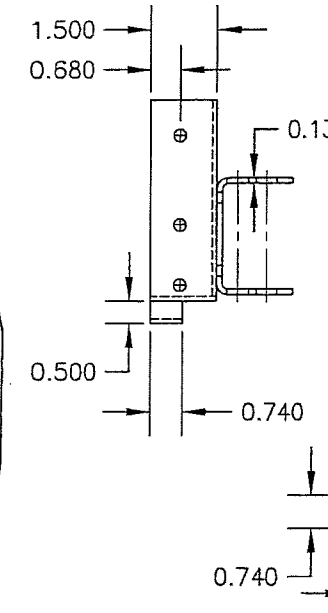
DETAIL 1



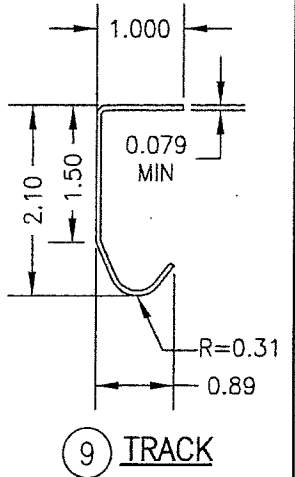
EDGE HINGE DETAIL



DETAIL 3

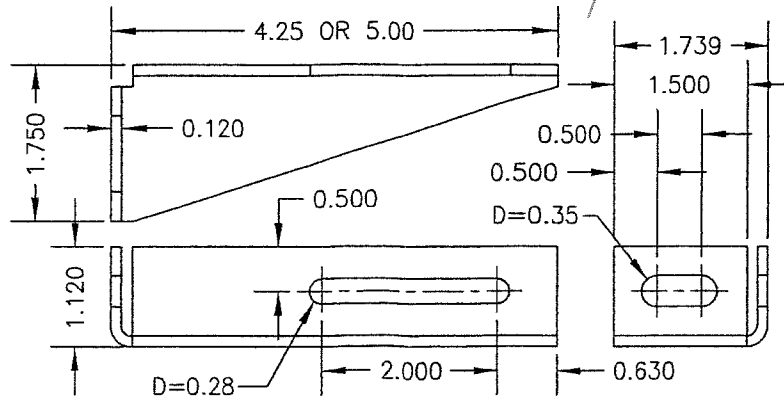


6 BOTTOM CABLE BRACKET

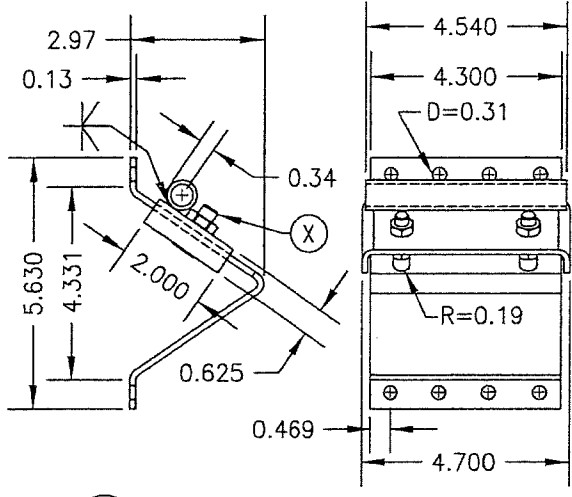


9 TRACK

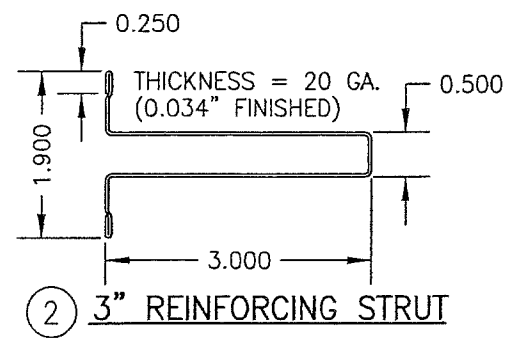
**PRODUCT REVISED**  
as complying with the Florida  
Building Code  
NOA-No. 18-1128.04  
Expiration Date 07/04/2022  
By *[Signature]*  
Miami-Dade Product Control



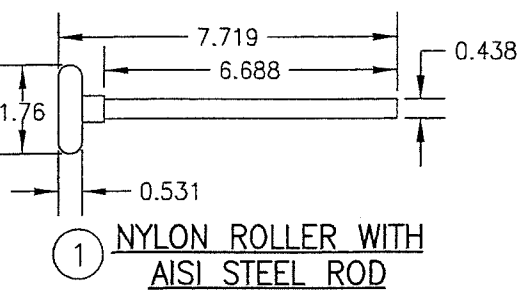
3 HURRICANE BRACKET



7 ADJUSTABLE TOP BRACKET



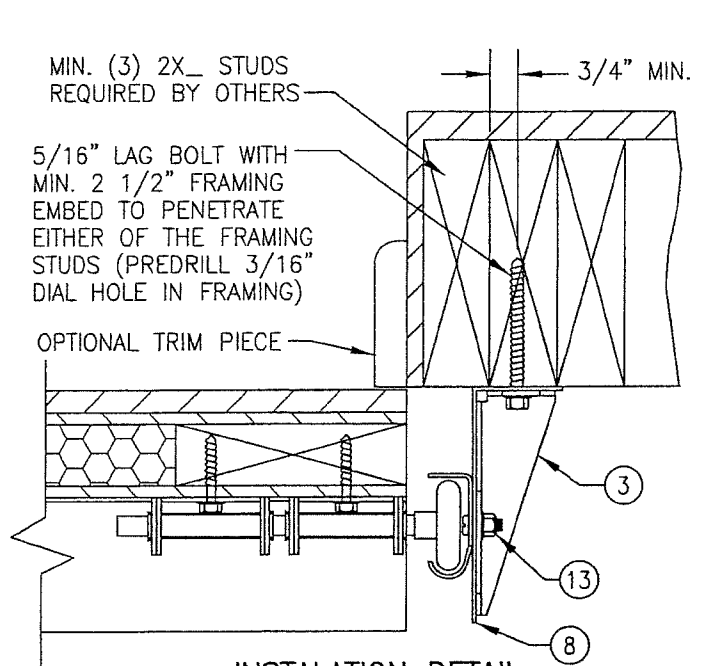
2 3" REINFORCING STRUT



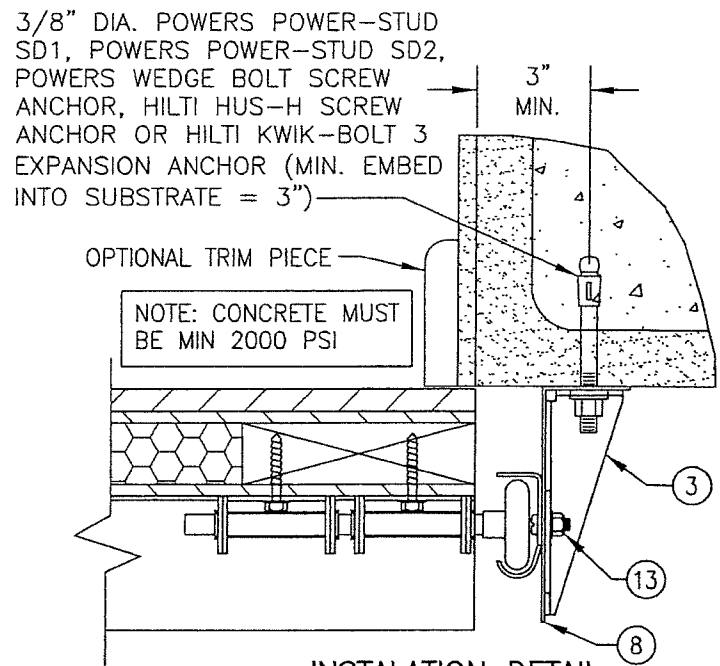
1 NYLON ROLLER WITH AISI STEEL ROD

DRAWN BY: W.W.S.		CHECKED BY: W.W.S.	
PLOT: 1=4		DATE: 05/24/02	
NO.	REVISION DESCRIPTION	BY	DATE
MANUFACTURER <b>10'-6" WIDE HURRICANE IMPACT WOOD GARAGE DOORS</b> DESIGNER PRODUCTS, LLC dba CAMBEK DESIGNER DOORS 702 TROY ST. RIVER FALLS, WI 54022 800-241-0525			
CONSULTANTS <b>W. W. SCHAEFER ENGINEERING &amp; CONSULTING, P.A. (CA 6809)</b> 7480 150TH COURT NORTH PALM BEACH GARDENS, FL 33418 PHONE: 561-744-3424			
DRAWING TITLE <b>10'-6" WIDE HURRICANE IMPACT WOOD GARAGE DOORS</b>			
PROFESSIONAL ENGINEER <b>WARREN W. SCHAEFER</b> LICENSE No. 44135			
DRAWING NO. 1077		REV. E	
SHEET NO. 3		OF 4	

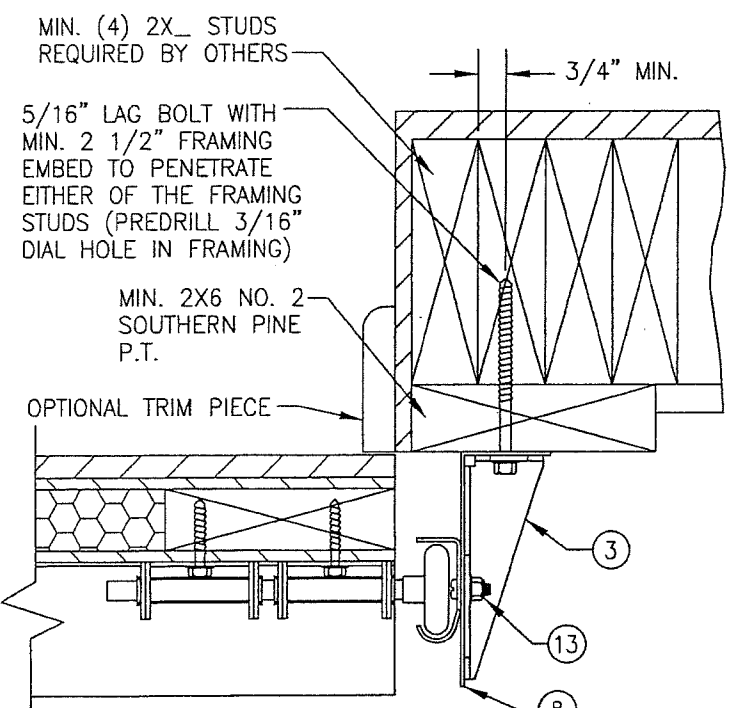




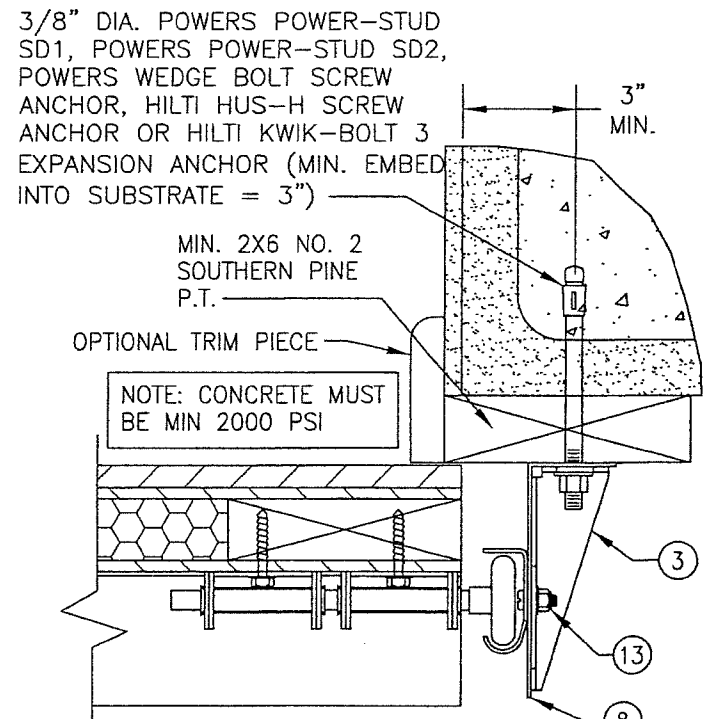
**INSTALLATION DETAIL  
DIRECT TO WOOD FRAMING**



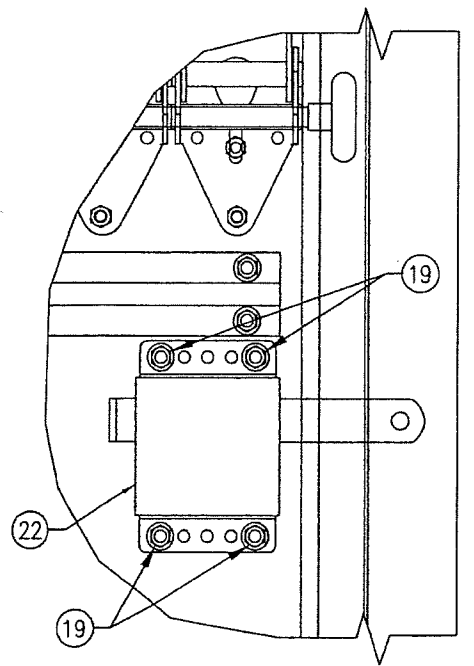
**INSTALLATION DETAIL  
DIRECT TO FILLED BLOCK  
OR SOLID CONCRETE**



**INSTALLATION DETAIL  
SHIMMED TO WOOD FRAMING**



**INSTALLATION DETAIL  
SHIMMED TO FILLED BLOCK  
OR SOLID CONCRETE**



**SLIDE LOCK DETAIL  
(MAY BE LOCATED AT  
EITHER SIDE OF DOOR)**

ITEM #	PART	ITEM DESCRIPTION	MANUFACTURER/NOTES
PARTS & HARDWARE			
1	1030-0269	ROLLER	NYLON W/AISI 1045 STL ROD
2	1030-0213	3" REINFORCING STRUT	GALV. 80 KSI STEEL
3	1030-0267 1030-0268	HURRICANE BRACKET	GALV. 36 KSI STEEL
4	1030-0123	SINGLE ROLLER HINGE	GALV. 36 KSI STEEL
5	1030-0124 1030-0125	DOUBLE ROLLER HINGE	GALV. 36 KSI STEEL
6	1030-0084	BOTTOM CABLE BRACKET	GALV. 36 KSI STEEL
7	1030-0237	ADJUSTABLE TOP BRACKET	GALV. 36 KSI STEEL
8	1030-0065	TRACK ANGLE (TAPERED)	GALV. 33 KSI STEEL
9	1030-0227	VERTICAL TRACK (HORIZ. TRACK SIMILAR)	GALV. 33 KSI STEEL
10	1030-0063	HORIZONTAL REINFORCEMENT ANGLE	GALV. 33 KSI STEEL
MISCELLANEOUS FASTENERS			
11	-	1/4 X 1 1/2 HEX WASHER HEAD LAG SCREW	ALIGNED WITH HINGES PER ELEVATION
12	-	3/8-16 BOLT	2 AT EACH TOP BRACKET
13	-	1/4-20 X 5/8 RIB NECK TRACK BOLT	1 PER HURRICANE BRACKET TO TRACK
14	-	1/4 X 1 1/2 HEX WASHER HEAD LAG SCREW	6 PER TOP BRACKET
15	-	1/4 X 1 1/2 HEX WASHER HEAD LAG SCREW	4 PER HINGE (6 PER EDGE HINGE)
16	-	TRACK ANCHOR AT TOP & BOTTOM OF TRACK ANGLE	PER INSTALLATION DETAIL W/O BRACKET
17	-	1/4-20 X 5/8 RIB NECK TRACK BOLT	4 AT TRACK SEAM (TRACK TO ANGLE)
18	-	1/4 X 1 1/2 HEX WASHER HEAD LAG SCREW	10 PER BOTTOM CABLE BRACKET
19	-	1/4 X 1 1/2 HEX WASHER HEAD LAG SCREW	4 PER SLIDE LOCK
LOCKING HARDWARE			
22	1030-0199	SLIDE LOCK	STEEL 1018 ZINC PLATED

**PANEL NOTES:**

- HORIZONTAL & VERTICAL FRAME MEMBERS ARE EDGE COPED, BUTTED TOGETHER & GLUED WITH "GORILLA GLUE." IN ADDITION, THE VERTICAL MEMBERS ARE SCREWED TO THE HORIZONTAL WITH 2 NO. 8 X 2" SCREWS ANGLED FROM THE BACK FACE OF THE DOOR.
- SUPER-PLY PLYWOOD IS STAPLED TO THE FRAME WITH 18 GA. X 1 1/2" X 1/4" STAPLES AND GLUED WITH CHEMREX 948 URETHANE ADHESIVE.
- THE EXTERIOR PANEL/STRIPS ARE ATTACHED TO THE SUPER-PLY AND FRAME WITH 18 GA. X 1 1/2" X 1/4" STAPLES AND CHEMREX 948 URETHANE ADHESIVE.
- EXTERIOR FINISH WOOD (PANELS/STRIPS) USED WITH ALL TEST SPECIMEN WAS NO. 3 WESTERN CEDAR. OTHER WOODS APPLICABLE FOR USE WITH THESE DOORS IS MIN. NO. 3 OAK, CHERRY, MAHOGANY, POPLAR, YELLOW PINE, REDWOOD, SPRUCE, FIR, MAPLE, DOUGLAS FIR, BIRCH, TEAK, HICKORY & CYPRUS OR NO. 2 ASPEN, WESTERN PINE, EASTERN PINE AND PONDEROSA PINE.
- IT IS THE OPTION OF DESIGNER DOOR TO INCORPORATE AN INTERIOR FINISH FACE ON ANY DOOR. THIS FACE SHALL BE EQUAL TO THOSE EXTERIOR FACES APPROVED PER THE DETAILS ON THIS DRAWING AND BE SECURED TO THE DOOR IN THE SAME MANNER AS THE EXTERIOR FACE. THIS INTERIOR FACE SHALL BE AN ADDITIONAL LAYER AND SHALL NOT REPLACE ANY LAYER SHOWN IN THE DETAILS ON THIS SHEET. ALSO, ALL HARDWARE LAG SCREWS SHALL BE LENGTHENED TO MIN. 2 1/4" TO ALLOW FOR THE ADDITIONAL THICKNESS OF THE ADDED INTERIOR SKIN.

**PRODUCT REVISED**  
as complying with the Florida  
Building Code  
NOA-No. **18-1128.04**  
Expiration Date **07/04/2022**  
By *[Signature]*  
Miami-Dade Product Control

WARREN W. SCHAEFER  
No. 44135  
FLORIDA PROFESSIONAL ENGINEERING  
EXPIRES 12/31/2018  
DRAWING NO. 1077  
SHEET NO. 4 OF 4

WARREN W. SCHAEFER, P.E.  
P.E. NO. 44135

DRAWING TITLE: 10'-6" WIDE HURRICANE IMPACT WOOD GARAGE DOORS

MANUFACTURER: DESIGNER PRODUCTS, LLC  
dba CAMBEK DESIGNER DOORS  
702 TROY ST.  
RIVER FALLS, WI 54022  
800-241-0525

CONSULTANTS: W. W. SCHAEFER ENGINEERING & CONSULTING, P.A. (CA 6809)  
7480 150TH COURT NORTH  
PALM BEACH GARDENS, FL 33418  
PHONE: 561-744-3424

DRAWN BY: W.W.S. CHECKED BY: W.W.S.  
PLOT: 1=4 DATE: 05/24/02